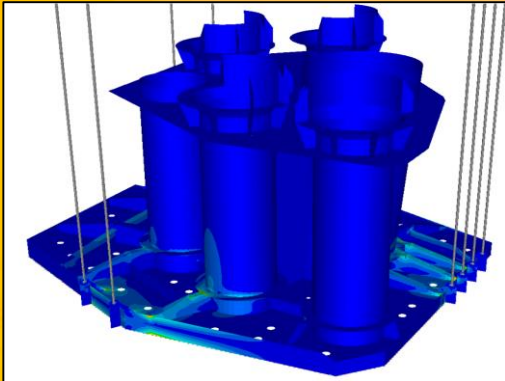


# Design & Engineering Factsheet

Harland and Wolff's unique, experienced Engineering Design and Consultancy services offer expertise in challenging projects for the merchant, naval, offshore and renewable sectors.



Our core competencies lie in marine and offshore engineering, marine technology, system integration and project management that have been developed over many diverse and demanding projects.



During the last number of years, we have developed a wealth of design and engineering knowledge including a detailed understanding of marine and offshore operations, user requirements and the many challenges the industry faces.

- CONCEPTUAL DESIGN
- BASIC DESIGN
- REGULATORY APPROVAL
- DETAIL ENGINEERING
- CONSTRUCTION SUPERVISION
- THROUGH LIFE SUPPORT
- GREEN TECHNOLOGY

We have evolved to meet these unique challenges by providing cost effective and practical solutions tailored to meet a wide range of product demands including basic and detailed designs. The variety of projects completed include new-build FPSOs, FPSO conversions, shuttle tankers, DP deepwater drilling vessels, naval vessels, crude oil tankers, bulk carriers, RoRo vessels, semi-submersible drilling vessels, offshore foundation structures and offshore transformer sub-stations

